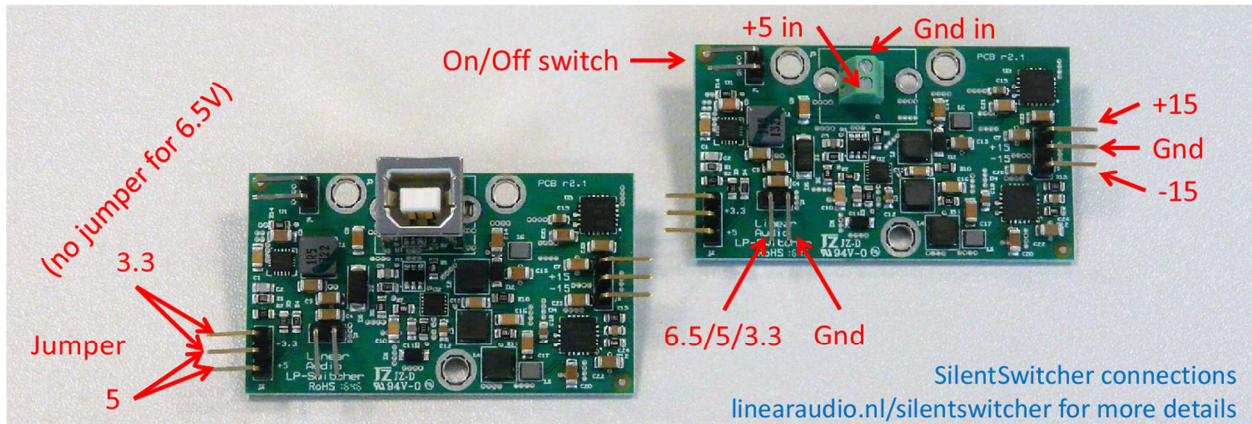


SilentSwitcher FAQ



Following are some frequently asked question on the Linear Audio SilentSwitcher:

Q: What is the output voltage of the 'digital' output when no jumper is placed on the 5V/3.3V selector block?

A: The output voltage without a jumper is nominally 6.5V, allowing you to use a post-regulator to bring it down to 5V or 3.3V if you prefer to do that.

Q: What is the pitch of the various connector headers and jumper block on the PCB?

A: All headers have 0.1inch or 2.54mm pitch